

READ THIS DATA SHEET CAREFULLY PRIOR TO COMMENCING ANY INSTALLATION OF LIGHT FITTINGS

## Sound Seed Pod: Collections Data Sheet

<b>Materials</b>	PET Felt, Timber, Stainless Steel, Steel, Powdercoat
<b>Dimensions</b>	H 280 mm x D 790 ( Dimensions may vary slightly in production)
<b>Fixings</b>	3x Stainless steel wires, flex & ceiling canopy
<b>Lamp Type</b>	<b>Lamp Type: 1 x Max. 11w E27 LED ONLY. LAMP NOT SUPPLIED</b>
<b>Cleaning</b>	Clean with dry lint free cloth only. Shade materials scratch easily.

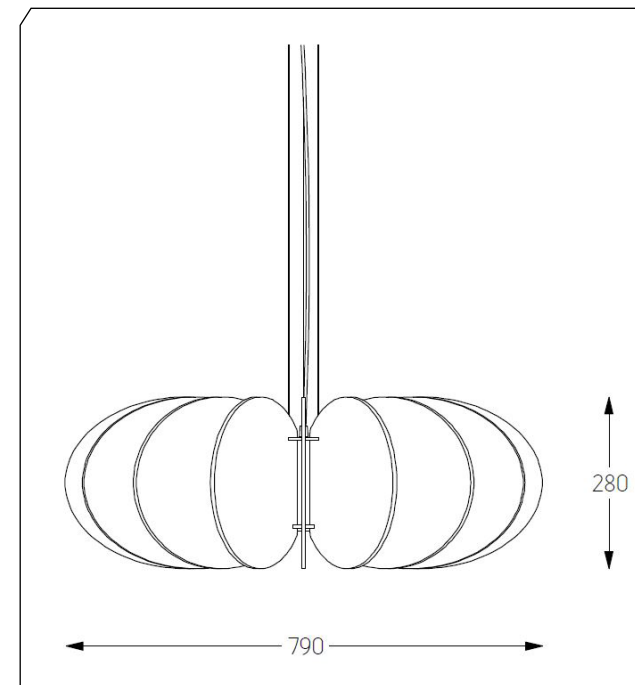
### Installation

- 1 Carefully open box. Lights are fragile.
- 2 Make sure there is adequate structure within ceiling to support fitting.
- 3 Wire fitting into supplied junction box. Earth must be used. Heatshrink and fasten cable ties.
- 4 Fasten canopy to ceiling with appropriate fasteners (not included)
- 5 Replace cover plate and make sure magnets are evenly spaced
- 6 Pass stainless steel wires through cable adjusters. Set at desired height.
- 7 Make sure weight is evenly distributed on wires. Lock adjusters by turning.
- 8 Install lamp

### Important Safety Instructions

- Please ensure all installation steps are conducted by certified electrical contractors.
- Lit lamps are extremely hot! Use switch or plug when turning light fitting on or off.
- You must turn off power to fitting and allow lamp to cool down before replacing. Only switch power on once lamp is secured into lampholder.
- Keep fixture away from flammable objects or materials that may burn.
- Remove dust and insects from lamp and surfaces regularly.

*Please turn to next page for reference diagrams and maintenance instructions.*



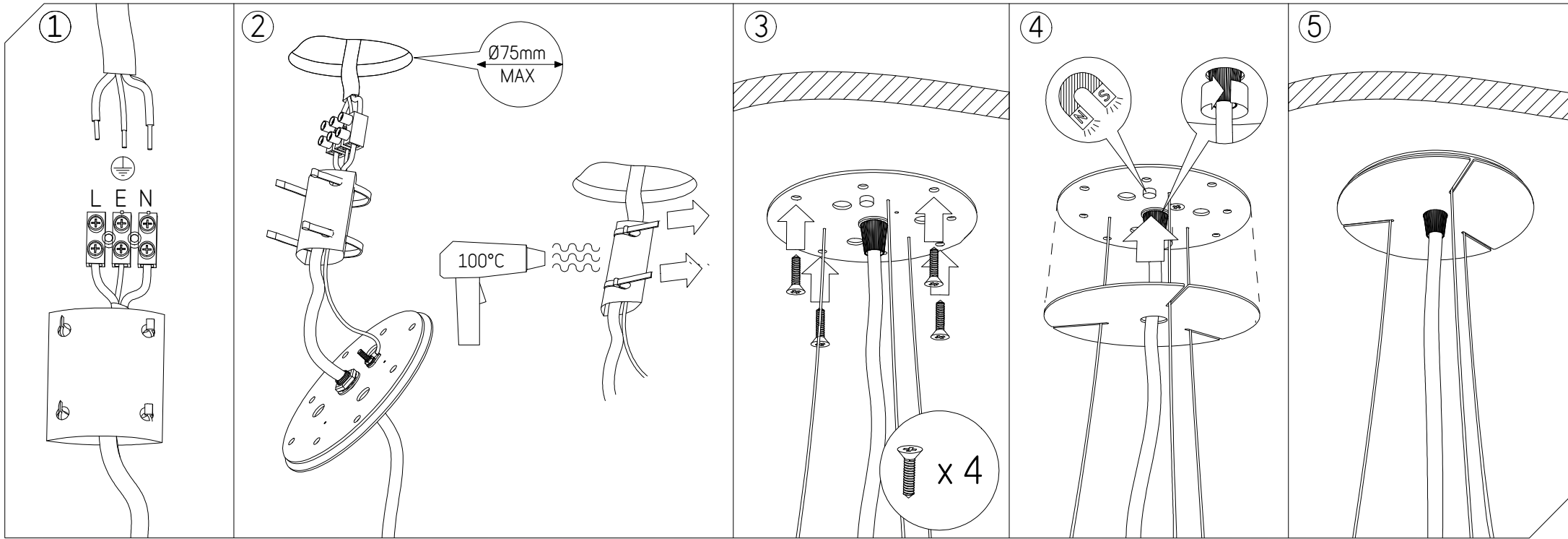
Please contact Satelight if you have any questions regarding the steps included in this data sheet.

**Cleaning** • Do not use abrasive cleaning materials on fixture. Do not wipe fitting surfaces with wet cloth. Dust only.

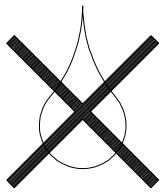
• Please be aware that the shade materials are delicate and can scuff or mark easily.



# Installation - Suspension Ceiling Canopy - 3 Suspension Cables/Wires



Must be installed by certified electrical contractors only



Clean with dry cloth only.

