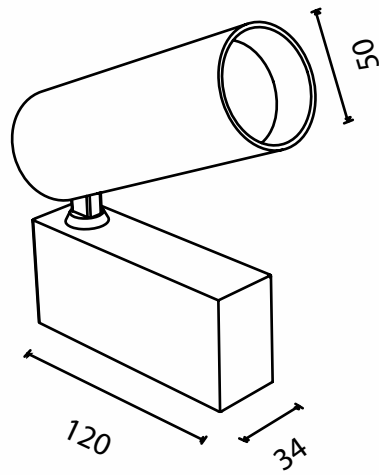




Magnetic connection allows users to be able to configure the design to their own specification quickly and easily. With DALI dimming capabilities the fixtures can work with numerous lighting scenes to create a flexible lighting package.



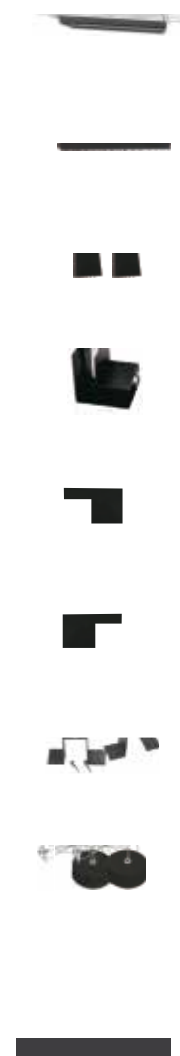
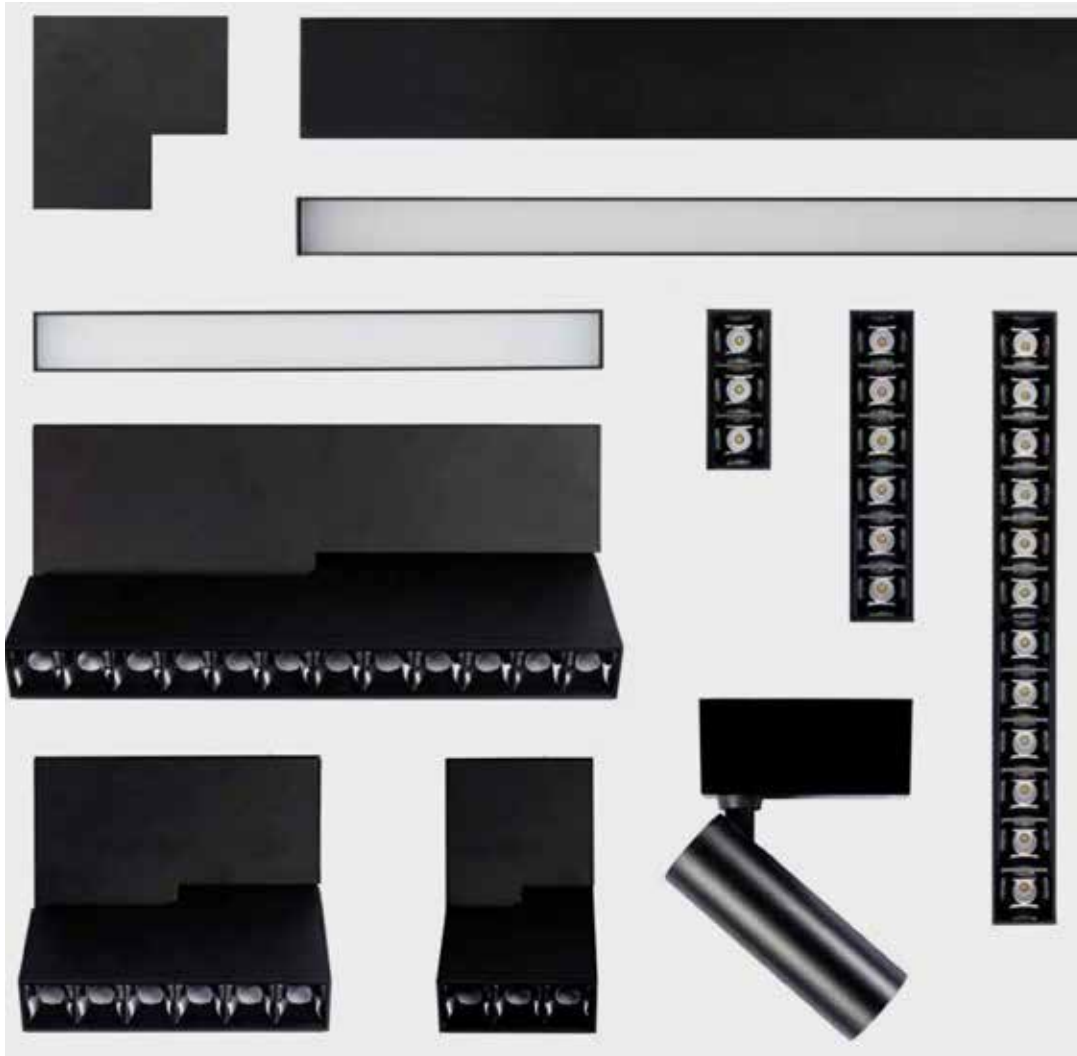
spot50



All dimensions are in millimetres

Item	Light Source	Power(W)	Flux	Optic	CRI	CCT	Size(mm)	Dim
Spot50	Cres/Citizen	10W	650lm	34D	Ra > 80	3000-4000K	Ø50*140	Dali





Item	Size(mm)	Description	Finishing
Power plate	65*30	65mm power feed for track wire connection,with 2pcs pin	white/black
Decorative plate	65*30	65mm track decorative plate,without pin	white/black

Item	Size(mm)	Description	Finishing
Track connector	113*32.5*3	Aluminum connector for track connection	white/black

Item	Size(mm)	Description	Finishing
End cap	76*39*1.5	Aluminum end cap for track,2PCS	white/black

Item	Size(mm)	Description	Finishing
L corner	90*90*76	Aluminum 90°horizontalconnect corner with power feed	white/black

Item	Size(mm)	Description	Finishing
Inner corner	123*123*76	Inner connect corner with power feed	white/black

Item	Size(mm)	Description	Finishing
Outer corner	123*123*76	Outer connect corner with power feed	white/black

Item	Size(mm)	Description	Finishing
Recessed kit	100*67.5*38	Track recessed kit, 2pcs	white/black

Item	Size(mm)	Description	Finishing
Suspension kit-A	Ø80	Track suspension kit with steel cable	white/black
Suspension kit-B	Ø80	Track suspension kit with electric wire	white/black

Item	Size(mm)	Description	Finishing
Track cover	1M	Track cover for empty spaces	white/black
Track mask	1M/2M	Track mask for plasterboard installation protection	white/black



track family



All dimensions are in millimetres