

Name Convex Ceiling Light

### INSTALLATION INSTRUCTIONS

1. Before installing, make sure the power supply is switched off.
2. Follow the steps as the figure for installation

#### Steps:

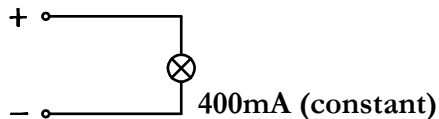
- A. After holing, pull out the wires.
  - B. Connect fixture to driver.
  - C. Connect driver to mains power.
  - D. Install the fixture into the ceiling.
3. After finishing every step, have the fixture fixed, and then connect the power supply.

### CLEANING INSTRUCTIONS

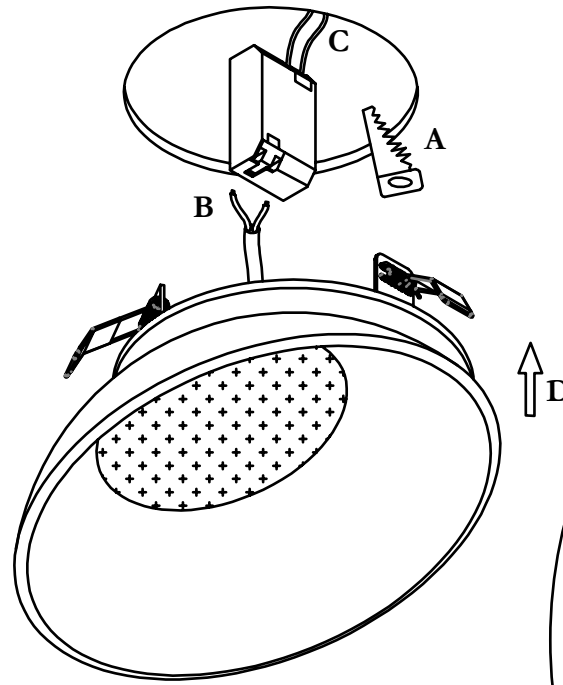
1. Before cleaning, ensure that the power supply is switched off.
2. Use only a soft cloth to clean the lamp, dampened with mild cleanser if needed for resistant dirt.
3. Warning: Do not use alcohol or other solvents

### CAUTION

While the lamp is working, the surface of it is hot! Please do not touch the fixture within an hour after the power supply has been switched off. The luminaires must not, under any circumstances, be covered with any insulation materials.



Hole Size: Ø127mm



Hole Size Template  
Ø127mm

PLEASE READ THIS DATA SHEET CAREFULLY PRIOR TO COMMENCING ANY INSTALLATION OF LIGHT FITTINGS. PLEASE CONTACT SATELIGHT IF YOU HAVE ANY QUESTIONS.



## convex ceiling light



15w Intergrate LED  
400mA(constant)~ Class III 3000k

#### Important Safety Instructions

- Please ensure all installation steps are conducted by certified electrical contractors.
- Lit lamp is extremely hot! Only use switch or plug when turning on or off.
- Keep fixture away from flammable objects or materials that may burn.
- Remove dust and insects from lamp and surfaces regularly.

#### Cleaning

Do not use abrasive cleaning materials on fixture. Dust only. Please be aware that the finishes are delicate and can scuff easily.